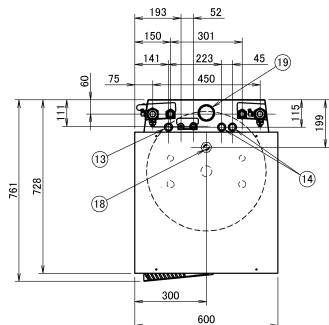
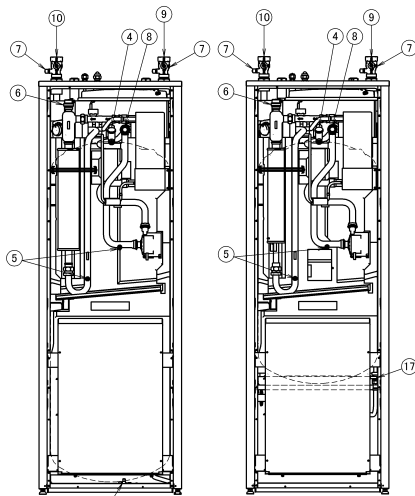
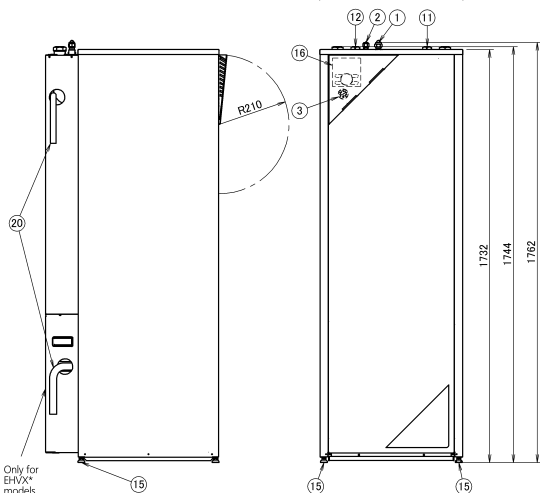


# EHV(H/X)16C

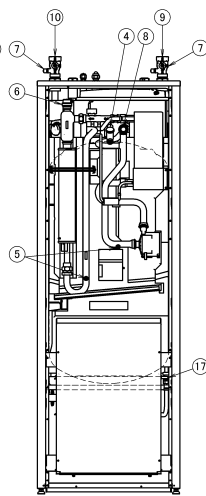


- ① Gas pipe connection  $\phi$  15.9 flare
- ② Liquid pipe connection  $\phi$  9.52 flare
- ③ Pressure gauge
- ④ Safety valve (pressure)
- ⑤ Drain valve water circuit
- ⑥ Air purge
- ⑦ Shut off valve with fill valve (included accessory)
- ⑧ Water filter
- ⑨ Water in connection (1-1/4" F BSP)
- ⑩ Water out connection (1-1/4" F BSP)

- ⑪ Tank in connection (1" F BSP)
- ⑫ Tank out connection (1" F BSP)
- ⑬ Control wiring intake ( $\phi$  24mm)
- ⑭ Power supply wiring intake ( $\phi$  24mm)
- ⑮ Levelling feet
- ⑯ User interface (Included accessory)
- ⑰ Drain valve tank circuit
- ⑱ Recirculation connection G 1/2" Female
- ⑲ Knock-out hole for recirculation piping or option wiring ( $\phi$  62mm)
- ⑳ Drain outlet (Unit + Safety valve)



260L Tank



180L Tank

Note:  
Typical field installation is according to local and national regulations.  
For examples, refer to installer reference guide.