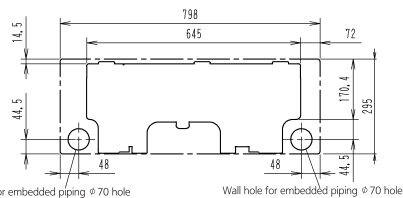
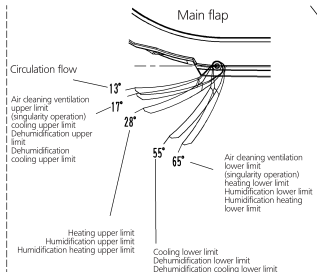
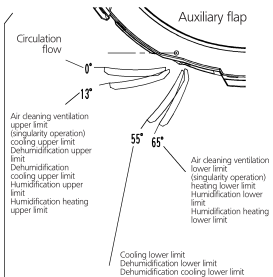
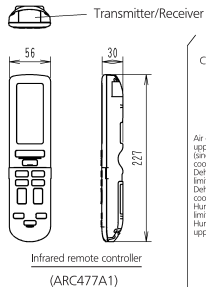
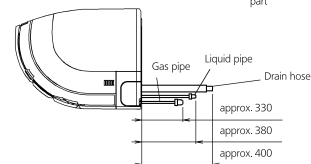
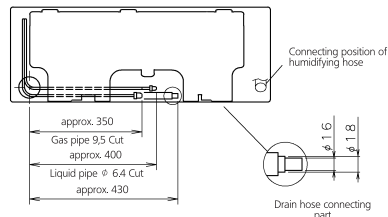
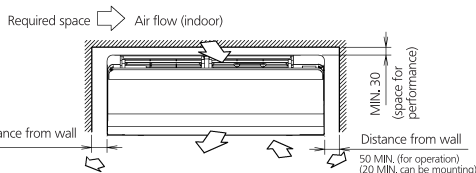
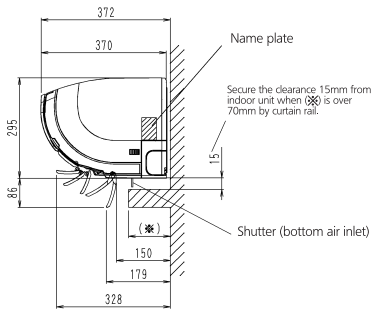
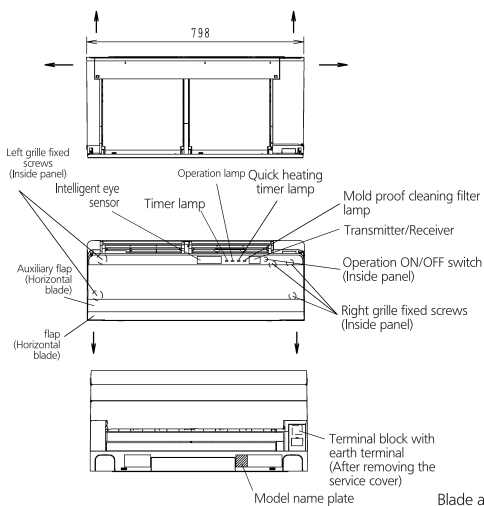


The mark (→) shows piping direction



Standard locations of wall holes